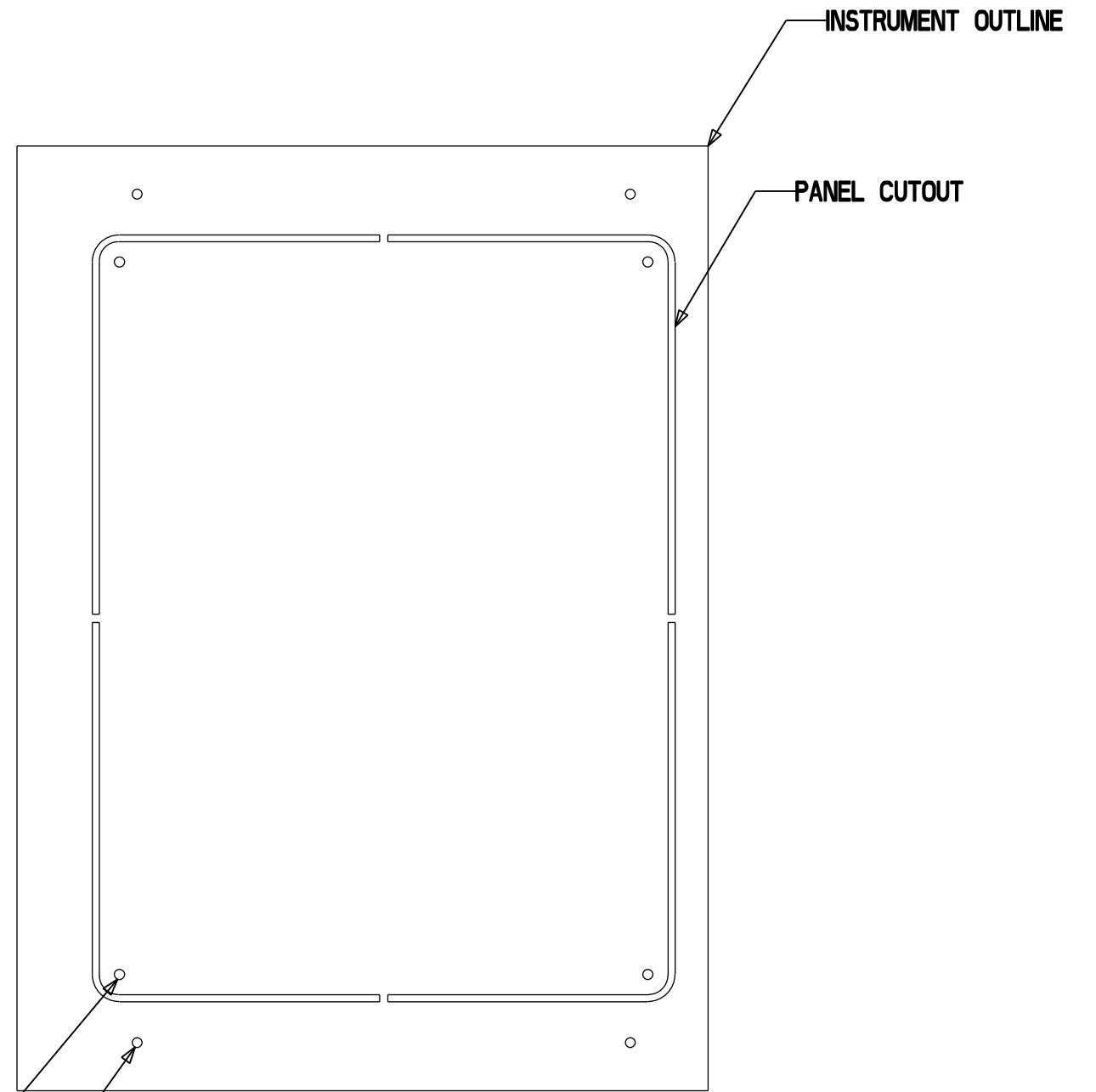


REV. #	DATE	NOTES
01	2014-03-02	ADD MATERIAL CALLOUT
02	2015-05-05	CHANGE DIMS TO MATCH PART (BUILT TO WRONG REV)
03	2015-09-02	DOUBLE CHECK DIMS AGAINST PART, ADD NOTE 8 TO SHEET 1
04	2015-10-09	ADD NOTE 9, INSTRUMENT DIMENSIONS
05	2015-11-06	CHNAGE MOUNTING HOLE DIM FROM 1.527" TO 1.511"

BEZEL MOUNT INSTALLATION TEMPLATE AND INSTRUCTIONS
TEMPLATE IS INCLUDED WITH THE TUNNEL INSTALLATION OPTION

Directions

1. Cover the area of the panel where the instrument is to be mounted with masking tape
2. Locate template on panel then tape it in place
3. Use a 1/16" [1.5mm] drill and make eight pilot holes
4. Use a sharp pencil or a fine point pen and mark the cutout area
5. Remove the template and cut the opening for the instrument using the cutting tool of your choice
6. Use a #16 [4.5mm] drill and enlarge the four mounting hole pilot holes
7. Use a 5/16 [8.0mm] drill and enlarge the four corner holes of the cutout area



ONE OF FOUR PILOT HOLES FOR PANEL CUTOUT CORNERS

ONE OF FOUR PILOT HOLES FOR M4 x .7 SCREWS

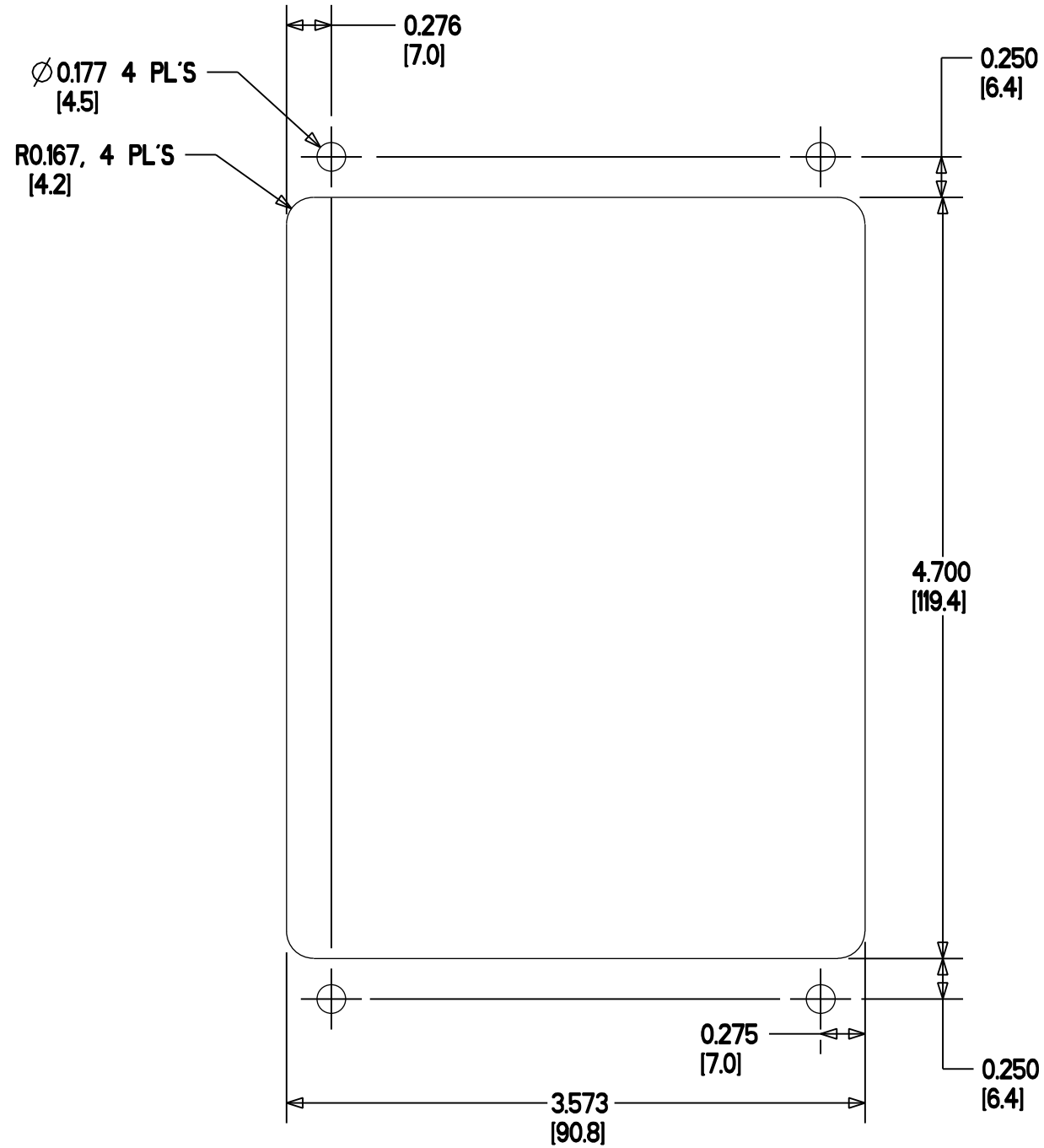
SCALE 1000

MATERIAL	0.03" PET-G OR PC, ANY COLOR
FINISH	

CLEARNAV INSTRUMENTS		
REVISION	CN PART #	TBD
# 05		DATE: 2015-11-06
UNITS: INCHES [MM]		TOL: +/- 0.005 [13]
MODEL NAME: TEMPLATE.BEZEL.MOUNT		
DWG NAME: TEMPLATE.BEZEL.MOUNT		
SHEET 1		OF 2

REV. #	DATE	NOTES
01	2014-03-02	ADD MATERIAL CALLOUT
02	2015-05-05	CHANGE DIMS TO MATCH PART (BUILT TO WRONG REV)
03	2015-09-02	DOUBLE CHECK DIMS AGAINST PART, ADD NOTE 8 TO SHEET 1
04	2015-10-09	ADD NOTE 9, INSTRUMENT DIMENSIONS
05	2015-11-06	CHNAGE MOUNTING HOLE DIM FROM 1.527" TO 1.511"

PANEL CUTOUT AND MOUNTING HOLES FOR BEZEL MOUNT INSTALLATION



SCALE 1.000

CLEARNAV INSTRUMENTS	
CN PART #	TBD
REVISION # 05	DATE: 2015-11-06
UNITS: INCHES [MM]	TOL +/-: 0.005 [.13]
MODEL NAME: model_name:6	
DWG NAME: TEMPLATE_BEZEL_MOUNT	
SHEET 2	OF 2